

PRODUCT SPECIFICATION

PTI-0720
Laser Tube Assembly, Single, 904.5nm

REV: -

DATE: 2008-FEB-24

TYPE: Single

- - -

Specifications

- MOVCD Pulsed Laser Diode (3mil)
- Emitting Area: 75 X 1 μ m
- Wavelength: 904.5 nm (Typ.) \pm 15nm
- Optical Power: 5W
- Threshold Current: 150mA (Typ.)
- Casing (Chassis): Isolated
- Field Range: 450 meter (\pm 100 meter)
- Average Profile: 0.7 meter (\pm 20%) X 1.0 meter(\pm 30)
- Laser Class: IIIA Laser (Rated @ 3KHz)
- Pulse Range: 400nSec (Max)
- Temp. Range: Operating -30 $^{\circ}$ C to +70 $^{\circ}$ C, Storage -60 $^{\circ}$ C to +85 $^{\circ}$ C

Pictures

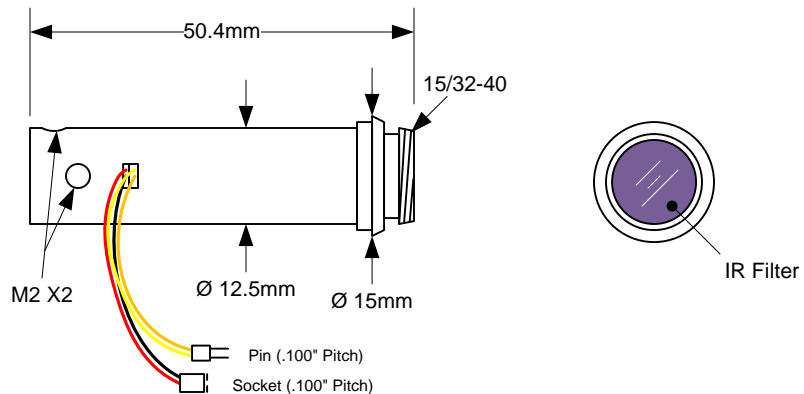


Note: Laser Tube can be configured with or without internal photodiode sensor.

Pin Connections & Housing Dimensions

Red: Anode-LD
 Blk: Cathode-LD

 Org: Anode-PD
 Yel: Cathode-PD



(Tolerances: \pm .1mm)

Contact PTI for more product detail.

