
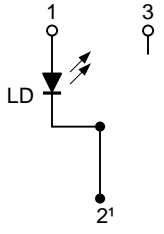


Prob-Test, Inc. 	Technical Datasheet		Prob-Test, Inc. 364 W. Tullock St. Rialto, CA 92376 Tel: 909.421.4444 Fax: 909.421.4440 www.probtest.com
	Part Number:	PLD-904-150-10KP-56	
	Nomenclature:	Pulsed Laser Diode	

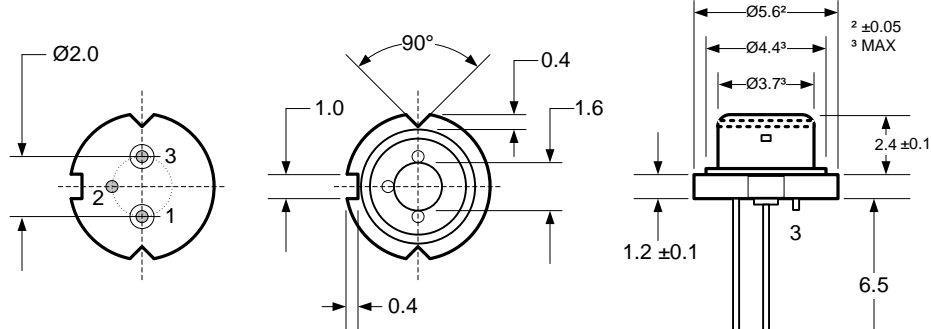
Features; <ul style="list-style-type: none"> • MOCVD Pulsed Laser Diode • Wavelength: 904.5 nm (Typ.) • Optical power: 8 W • Threshold Current: 400mA (Typ.) • Package Style: Hermetic, Ø5.6mm • Casing: Negative – Cathode • Made in USA 	TEMPERATURE CHARACTERISTICS		
	DESCRIPTION	SYMBOL	RATED VALUE
	Operation Temperature (°C)	T _{op}	-30 to +90
	Storage Temperature (°C)	T _{stg}	-60 to +90
	-	-	-
	-	-	-
	-	-	-

OPTICAL & ELECTRICAL CHARACTERISTICS (T_c=25°C), Test Condition: 50nS, 1KHz					
DESCRIPTION	SYMBOL	MIN.	TYPICAL	MAX.	TEST CONDITION
Lasing Wavelength (nm)	λ_p	895	904.5	915	-
Emitting Area	A _e	-	150 X 1 μ m	-	-
Peak Power (W)	P _o	-	-	8	-
Threshold Current (mA)	I _{th}	300	400	500	-
Peak Current (A)	I _{op}	-	-	10	-
Peak Voltage (V)	V _{op}	-	-	7	-
Beam Divergence II (°)	θ_{II}	8	10	11	-
Beam Divergence \perp (°)	θ_{\perp}	30	40	50	-
Duty Factor (%)	DT	***	0.1	***	-

Pin Connections & Housing Dimensions



1. Laser Diode Anode
 2. Laser Diode Cathode
 3. NC
 1 Case & Pin No. 2 are common



BOTTOM VIEW **TOP VIEW** **SIDE VIEW**