

Prob-Test, Inc.



Technical Datasheet

Part Number: **PLD-904-60-4KP-56**

Nomenclature: Pulsed Laser Diode

Prob-Test, Inc.

364 W. Tullock St.
Rialto, CA 92376
Tel: 909.421.4444
Fax: 909.421.4440

www.proptest.com

Features;

- MOCVD Pulsed Laser Diode
- Wavelength: 904 nm (Typ.)
- Optical power: 4 W
- Threshold Current: 150mA (Typ.)
- Package Style: Hermetic, Ø5.6mm
- Casing: Positive – Anode
- Made in USA

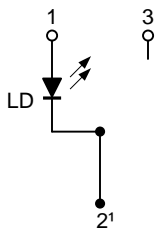
TEMPERATURE CHARACTERISTICS

DESCRIPTION	SYMBOL	RATED VALUE
Operation Temperature (°C)	T _{op}	-30 to +70
Storage Temperature (°C)	T _{stg}	-60 to +85
-	-	-
-	-	-
-	-	-

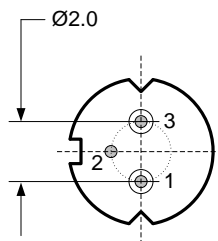
OPTICAL & ELECTRICAL CHARACTERISTICS (T_c=25°C), Test Condition: 50nS, 1KHz

DESCRIPTION	SYMBOL	MIN.	TYPICAL	MAX.	TEST CONDITION
Lasing Wavelength (nm)	λ _p	890	904	920	-
Emitting Area	A _e	-	60 X 1 μm	-	-
Peak Power (W)	P _o	-	-	4	-
Threshold Current (mA)	I _{th}	80	150	200	-
Peak Current (A)	I _{op}	-	-	4	-
Peak Voltage (V)	V _{op}	-	-	6	-
Beam Divergence II (°)	θ _{II}	8	10	11	-
Beam Divergence ⊥ (°)	θ _⊥	30	40	50	-
Duty Factor (%)	DT	***	0.1	***	-

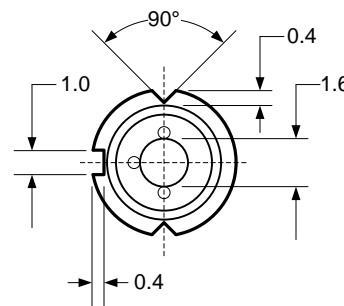
Pin Connections & Housing Dimensions



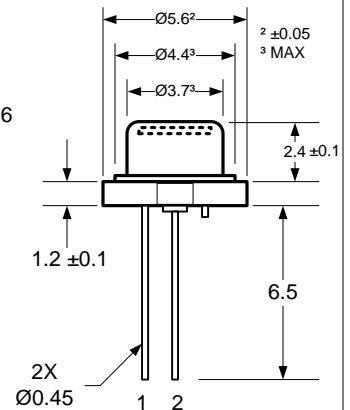
1. Laser Diode Anode
 2. Laser Diode Cathode
 3. NC
- ¹ Case & Pin No. 2 are common



BOTTOM VIEW



TOP VIEW



SIDE VIEW